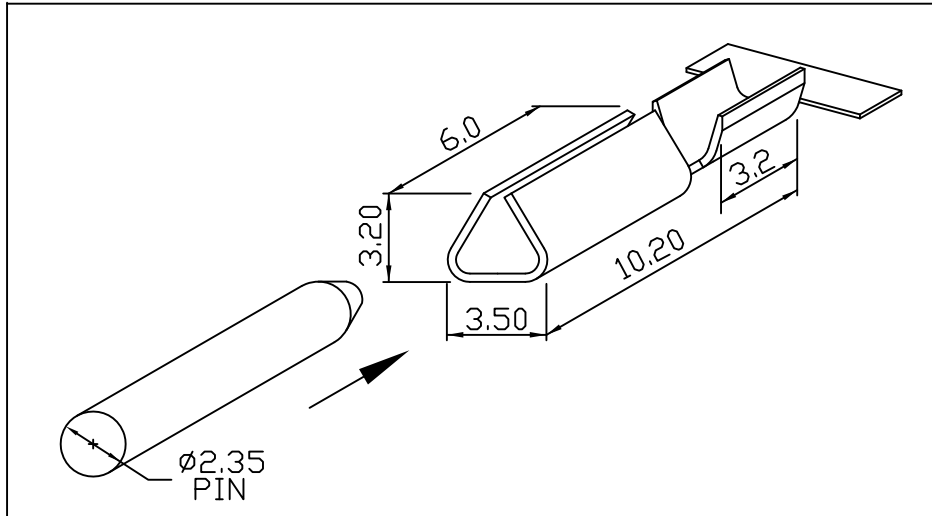


235 SERIES TERMINAL



Features:

- * THICKNESS: 0.3mm
- * MAT'L: PHOSPHOR BRONZE TIN PLATED
- * APPLICABLE WIRE RANGE: #20

235

