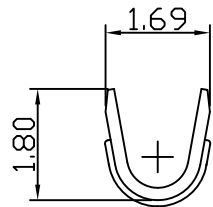


2050 .079" (2.0mm) PITCH CRIMP TERMINAL

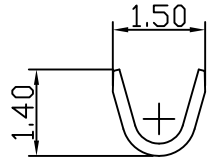
Features:

unit:mm

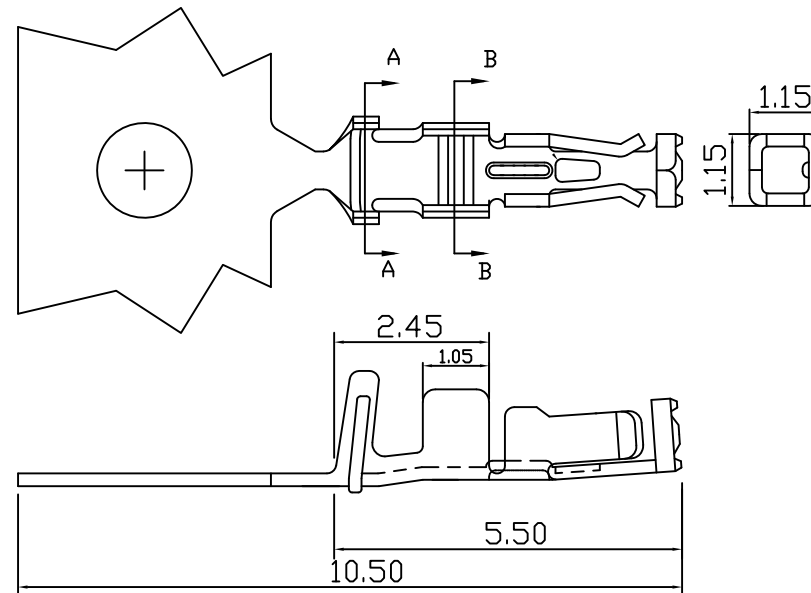
- * THICKNESS: 0.2mm
- * MAT'L: PHOSPHOR BRONZE WITH TIN NICKEL, LEAD OR GOLD PLATING
- * MATES WITH: 2050H SERIES HOUSING
- * ACCEPTS PIN SIZE: 0.5mm (.02") ROUND OR SQUARE PIN
- * ACCEPTS WITH: 2001PS, 2002PS 2003PR, 2004PR SERIES WAFER



Section A-A



Section B-B



| PART NO. | WIRE RANGE | INSULATION O.D. | MATERIAL | FINISH | QTY/REEL |
|----------|------------|-----------------|-----------------|------------|----------|
| 2050-P | AWG#26-#28 | ø1.35mm MAX | PHOSPHOR BRONZE | Tin-plated | 20,000 |