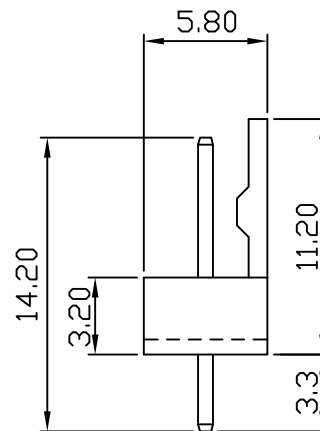
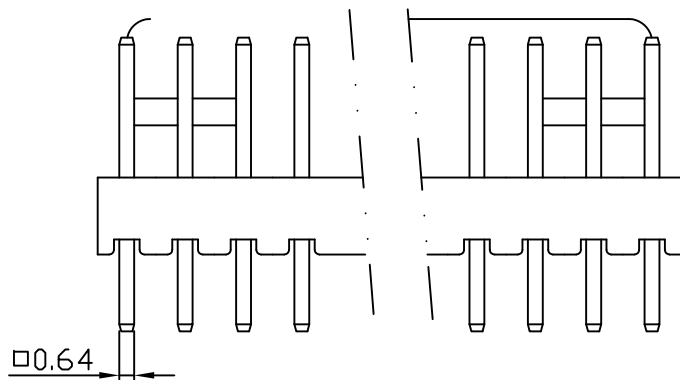
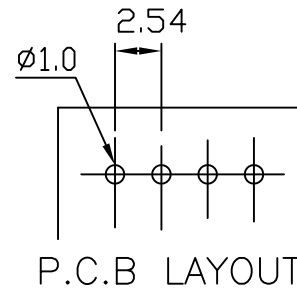
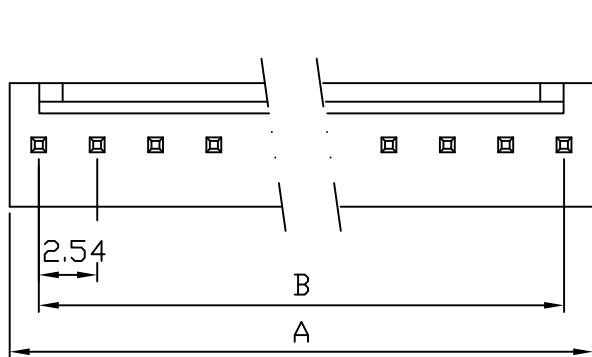


# 2600PS .100" (2.54mm) PITCH Headers—Straight

Features:

unit:mm

- \* MAT'L: BODY: NYLON 66 UL94V-2  
PINS: BRASS TIN PLATED
- \* MATES WITH: 2511 SERIES TERMINAL
- \* ACCEPTS WITH: 2510 SERIES HOUSING



PART NO.	A	B
2600PS-02	5.08	2.54
2600PS-03	7.62	5.08
2600PS-04	10.16	7.62
2600PS-05	12.70	10.16
2600PS-06	15.24	12.70
2600PS-07	17.78	15.24
2600PS-08	20.32	17.78
2600PS-09	22.86	20.32
2600PS-10	25.40	22.86
2600PS-11	27.94	25.40
2600PS-12	30.48	27.94
2600PS-13	33.02	30.48
2600PS-14	35.56	33.02
2600PS-15	38.10	35.56
2600PS-16	40.64	38.10
2600PS-17	43.18	40.64
2600PS-18	45.72	43.18
2600PS-19	48.28	45.72
2600PS-20	50.80	48.28