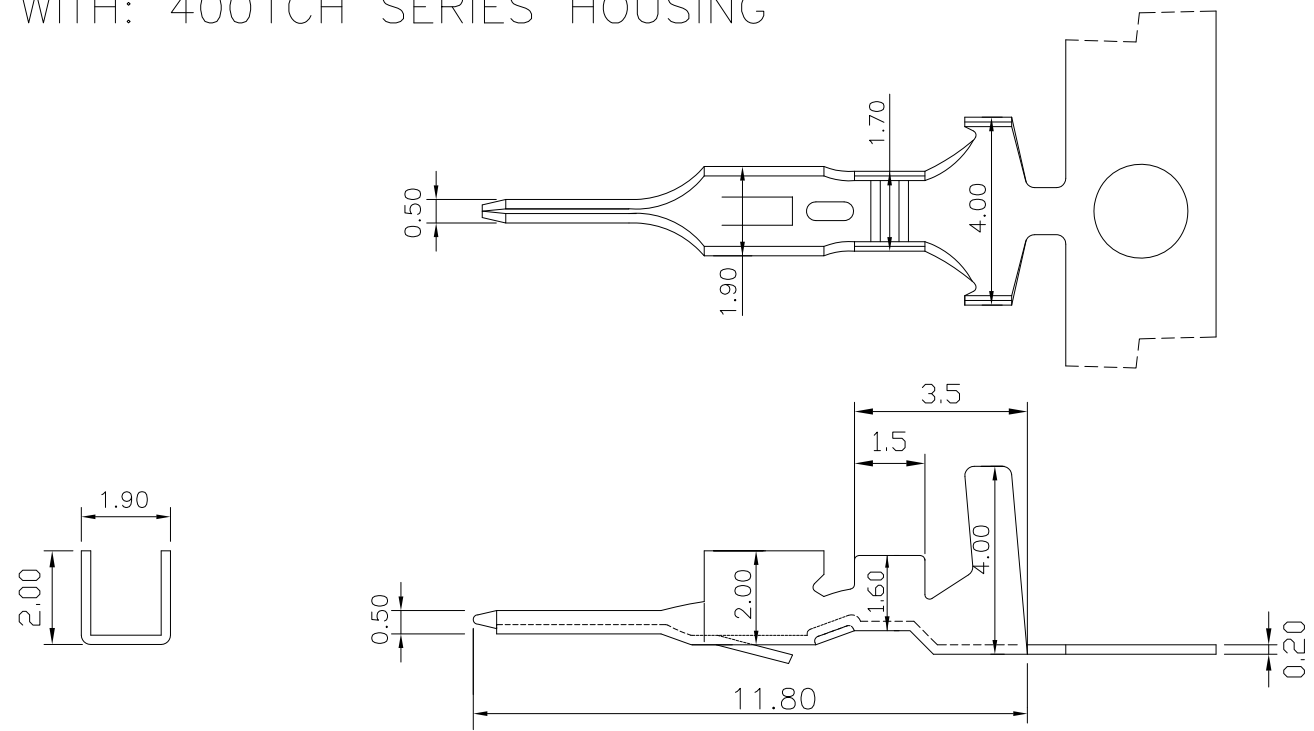


4001CT .157" (4.0mm) PITCH TERMINAL

Features:

unit:mm

- * THICKNESS:0.2mm
- * MAT'L: PHOSPHOR BRONZE TIN PLATED
- * MATES WITH: 4001CH SERIES HOUSING



PART/NO.	WIRE RANGE	INSULATION O.D	MATERIAL	FINISH	QTY/REEL
4001CT	AWG#22-28	ø1.7 mm MAX	PHOSPHOR BRONZE	Tin-Plated	5,000