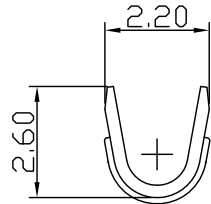


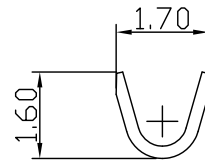
4001MT .157" (2.0mm) PITCH CRIMP TERMINAL

Features:

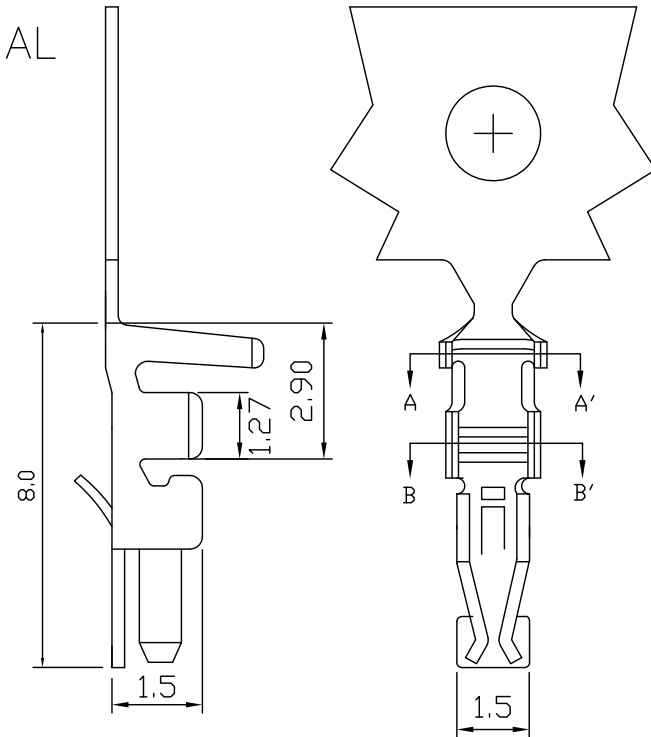
- * THICKNESS: 0.2mm
- * MAT'L: PHOSPHOR BRONZE TIN PLATED
- * MATES WITH: 4001MH SERIES HOUSING
- * ACCEPTS WITH: 4001CT SERIES TERMINAL



SEC A-A



SEC B-B



PART/NO.	WIRE RANGE	INSULATION O.D	MATERIAL	FINISH	QTY/REEL
4001MT	AWG#24-28	1.70mm(max)	PHOSPHOR BRONZE	Tin-plated	10,000