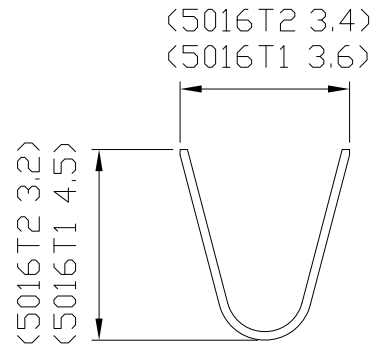


# 5016 1.65" (4.2mm) PITCH CRIMP TERMINAL

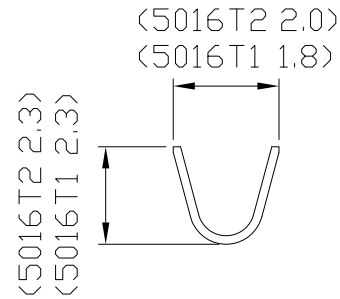
unit:mm

## Features:

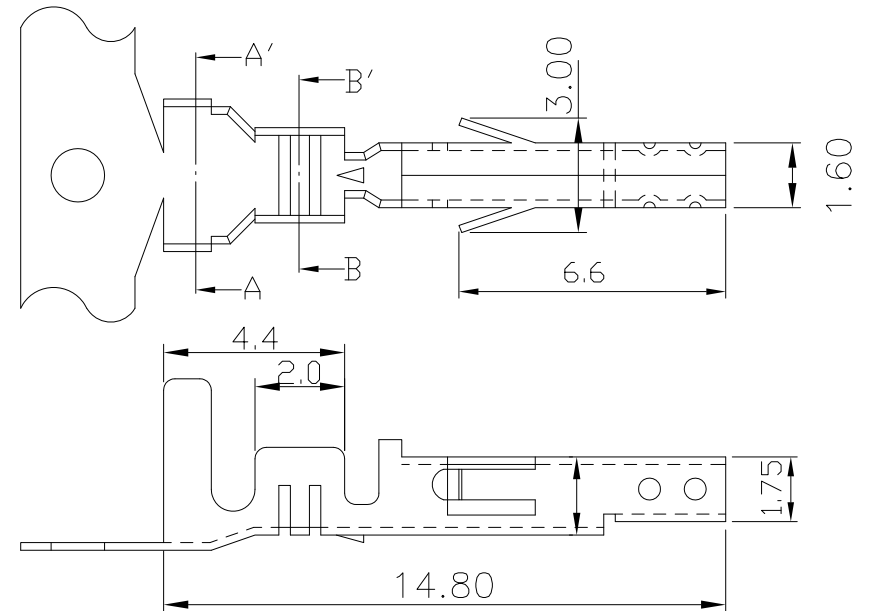
- \* THICKNESS: 0.2mm
- \* MAT'L: BRASS TIN PLATED
- \* MATES WITH: 5016H SERIES HOUSING



Section A-A'



Section B-B'



PART NO.	WIRE RANGE	INSULATION O.D.	MATERIAL	FINISH	QTY/REEL
5016T1	AWG#18-#22	∅2.8mm max	BRASS	Tin-plated	5,000
5016T2	AWG#22-#24	∅2.0mm max	BRASS	Tin-plated	5,000