

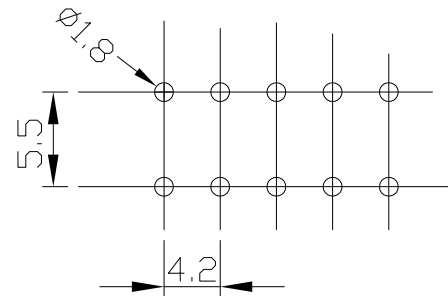
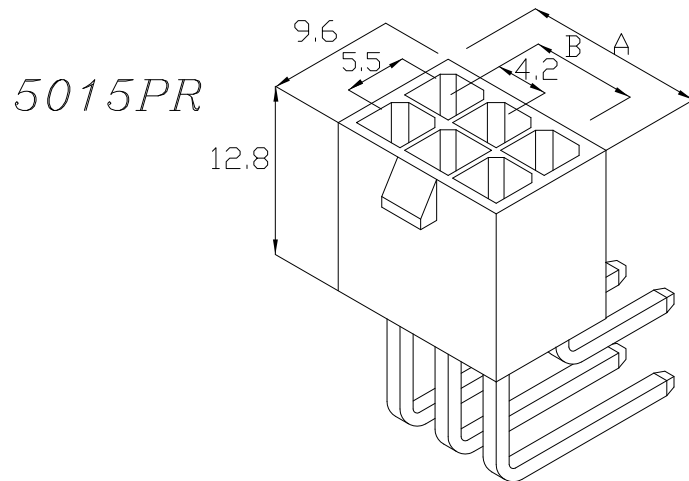
# 5015PR 1.65" (4.2mm) PITCH Headers—Right Angle

Features:

unit:mm

- \* MAT'L: NYLON 66 UL94V-2
- \* MATES WITH 5016 SERIES TERMINAL
- \* ACCEPTS WITH: 5016H SERIES HOUSING
- \* POSITIVE HOUSING LOCKS

PART NO.	A	B
5015PR-02 (2x1)	5.4	
5015PR-04 (2x2)	9.6	4.2
5015PR-06 (2x3)	13.8	8.4
5015PR-08 (2x4)	18.0	12.6
5015PR-10 (2x5)	22.2	16.8
5015PR-12 (2x6)	26.4	21.0
5015PR-14 (2x7)	30.6	25.2
5015PR-16 (2x8)	34.8	29.4
5015PR-18 (2x9)	39.0	33.6
5015PR-20 (2x10)	43.2	37.8
5015PR-22 (2x11)	47.4	42.0
5015PR-24 (2x12)	51.6	46.2



P.C.B LAYOUT