

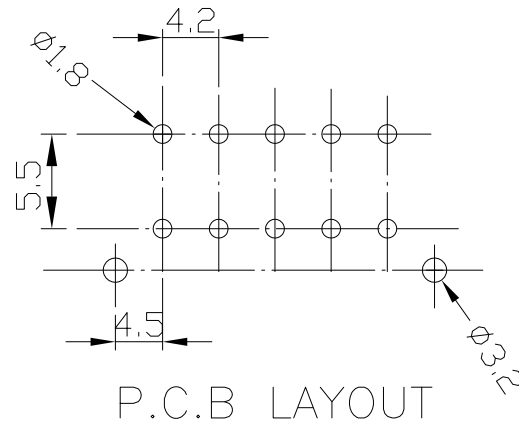
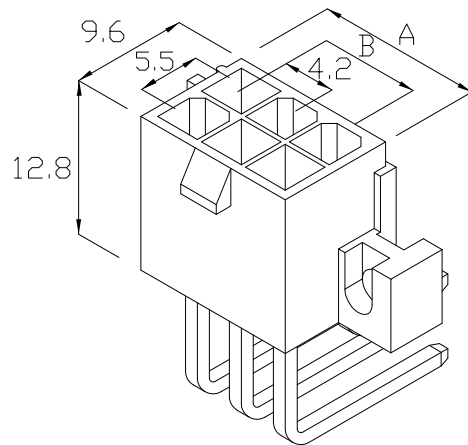
5015PR-B 1.65" (4.2mm) PITCH Headers-Right Angle

Features:

unit:mm

- * MAT'L: NYLON 66 UL94V-2
- * MATES WITH 5016 SERIES TERMINAL
- * ACCEPTS WITH: 5016H SERIES HOUSING
- * POSITIVE HOUSING LOCKS

5015PR-B



PART NO.	A	B
5015PR-02B (2x1)	5.4	/
5015PR-04B (2x2)	9.6	4.2
5015PR-06B (2x3)	13.8	8.4
5015PR-08B (2x4)	18.0	12.6
5015PR-10B (2x5)	22.2	16.8
5015PR-12B (2x6)	26.4	21.0
5015PR-14B (2x7)	30.6	25.2
5015PR-16B (2x8)	34.8	29.4
5015PR-18B (2x9)	39.0	33.6
5015PR-20B (2x10)	43.2	37.8
5015PR-22B (2x11)	47.4	42.0
5015PR-24B (2x12)	51.6	46.2