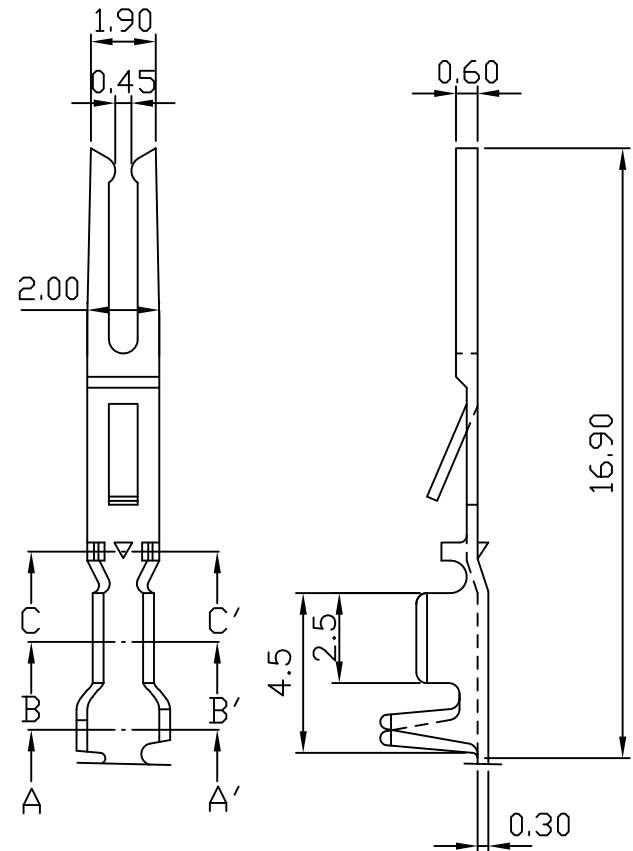
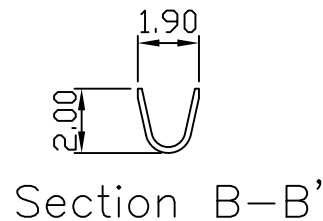
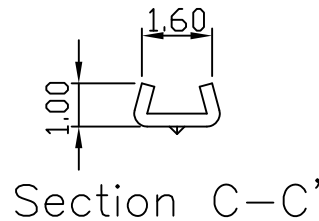
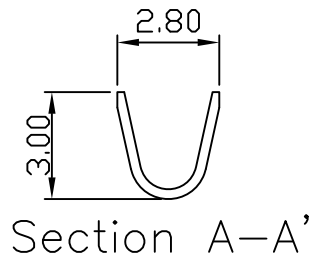


# F102A ELECTRIC & MOTOR PARTS TERMINAL

unit:mm

Features:

- \* THICKNESS: 0.3mm
- \* MAT'L: BRASS TIN PLATED
- \* ACCEPT WITH F102H SERIES HOUSING



PART NO.	WIRE RANGE	INSULATION O.D.	MATERIAL	FINISH	QTY/REEL
F102A	AWG#24-#26	ø1.5~ø1.2mm	BRASS	Tin-plated	10,000