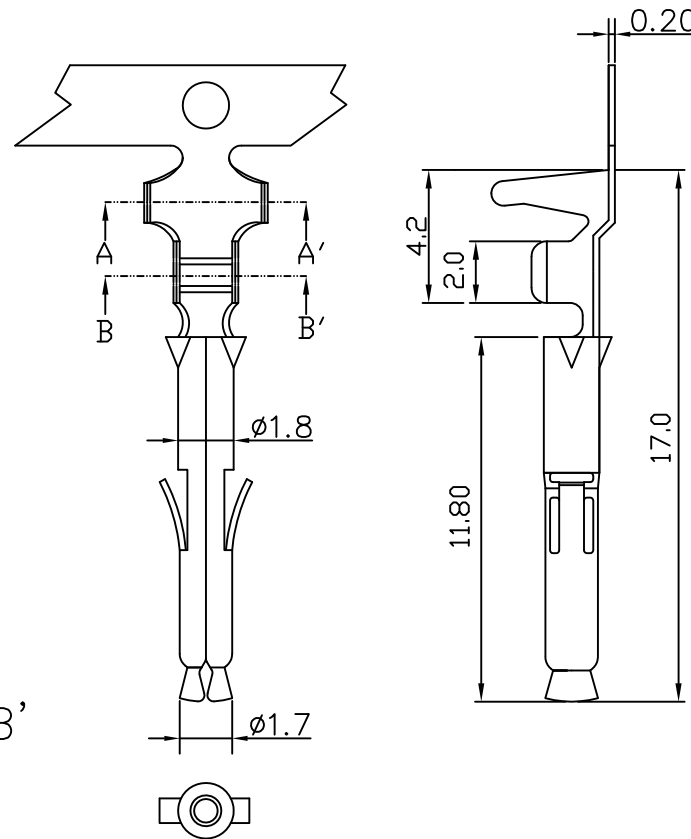
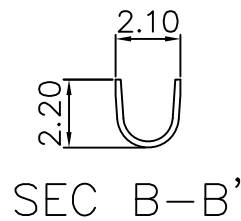
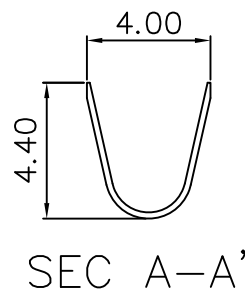


# *E110* CRIMP TERMINAL

Features:

unit:mm

- \* THICKNESS: 0.20mm
- \* MAT'L: BRONZE TIN PLATED
- \* ACCEPTS WITH: E110H HOUSING
- \* MATES WITH: E010 TERMINAL  
E010H HOUSING



PART NO.	WIRE RANGE	INSULATION O.D.	MATERIAL	FINISH	QTY/REEL
E110	AWG#24-#18	ø1.7-3.0mm	PHOSPHOR BRONZE	Tin-plated	4000