

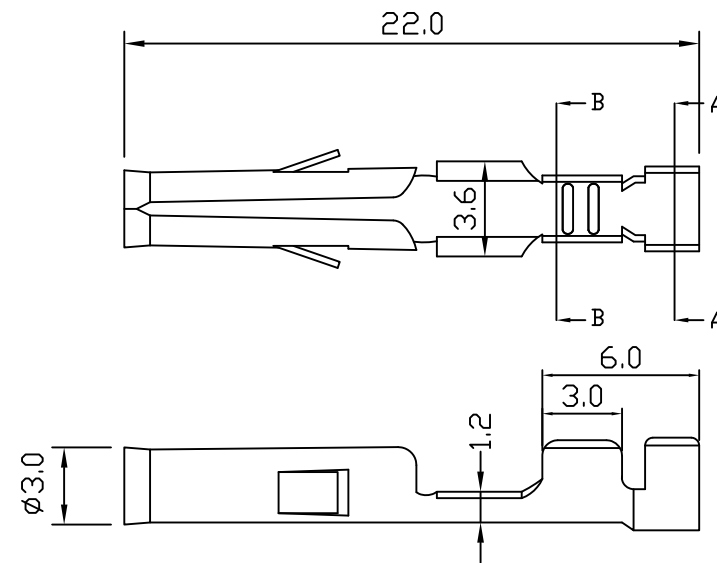
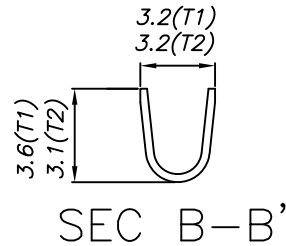
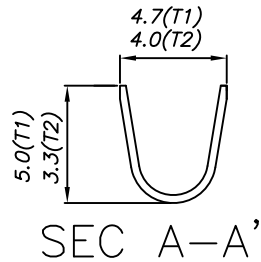
E123 CRIMP TERMINAL

unit:mm

E123

Features:

- * THICKNESS: 0.25mm
- * MAT'L: BRASS TIN PLATED
- * MATES WITH: E023 SERIES TERMINAL
- * MATES WITH: E123H SERIS HOUSING



PART NO.	WIRE RANGE	INSULATION O.D.	MATERIAL	FINISH	QTY/REEL
E123T1	AWG#14-#20	ø3.6mm MAX	BRASS	Tin-plated	3500
E123T2	AWG#18-#22	ø2.8mm MAX	BRASS	Tin-plated	5000