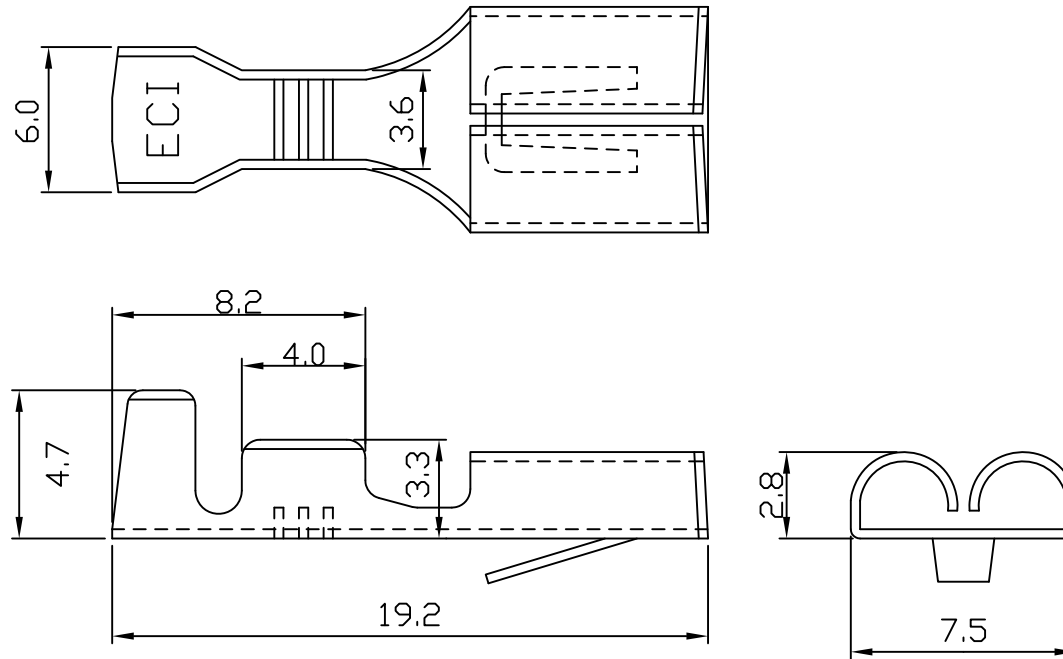


E761 CRIMP TERMINAL

Features:

unit:mm

- * THICKNESS: 0.3mm
- * MAT'L: BRASS
- * MATES: E761H E761H-K E761H-S SERIES HOUSING



PART NO.	WIRE RANGE	INSULATION O.D.	MATERIAL	FINISH	QTY/REEL
E761	AWG#18-#22	φ3.8~φ2.0mm	BRASS	—	5,000