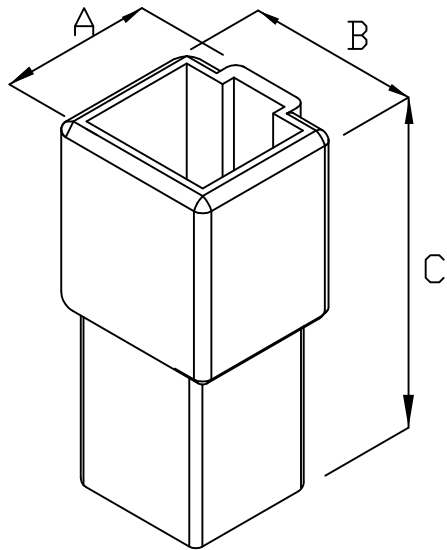


# E661H SERIES

Features:

- \* MAT'L: NYLON 66 UL 94V-2
- \* MATES WITH E661 SERIES TERMINAL
- \* MATES WITH E761 SERIES HOUSING

unit:mm

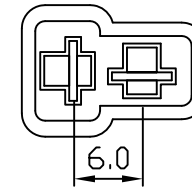


PRAT NO	A	B
E661H-01	10.0	13.5
E661H-02	18.3	13.2
E661H-03	19.9	16.5
E661H-04(2X2)	15.5	24.5
E661H-06(2X3)	15.5	31.3
E661H-08(2X4)	15.5	40.6

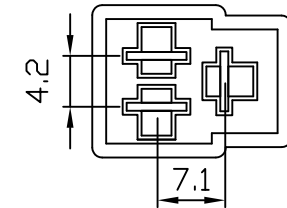
E661H-01



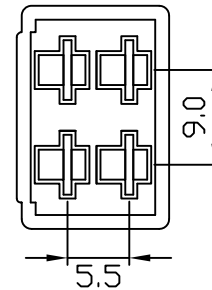
E661H-02



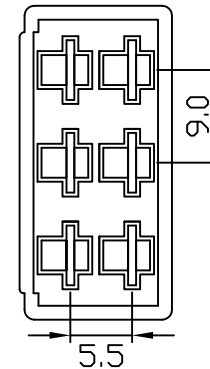
E661H-03



E661H-04(2X2)



E661H-06(2X3)



E661H-08(2X4)

