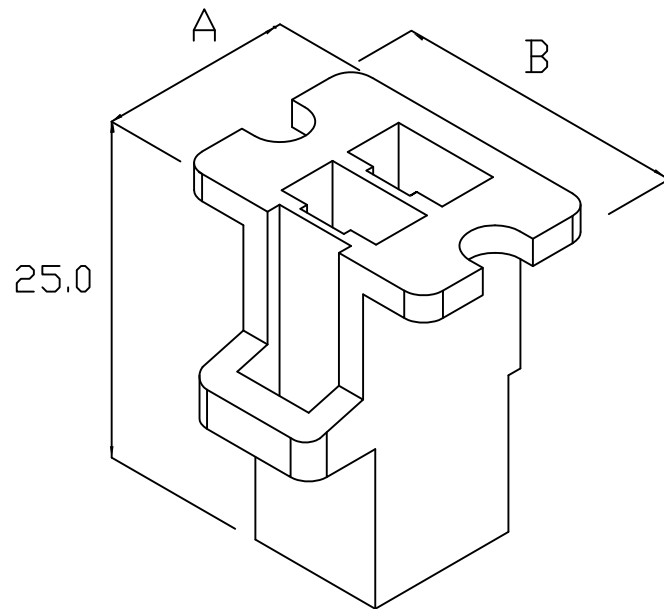


E761H-K SERIES

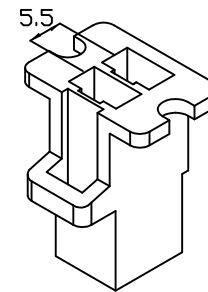
unit:mm

Features:

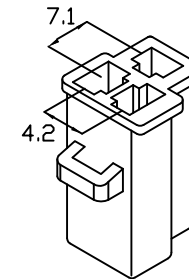
- * MAT'L: NYLON 66 UL 94V-2
- * MATES WITH E761 SERIES TERMINAL
- * MATES WITH E661H-K SERIES HOUSING



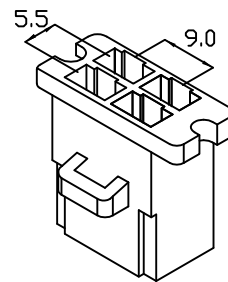
E761H-02K



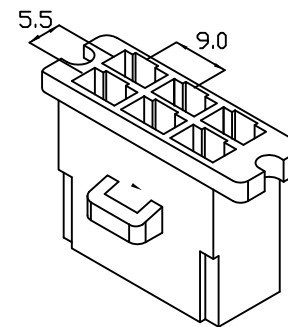
E761H-03K



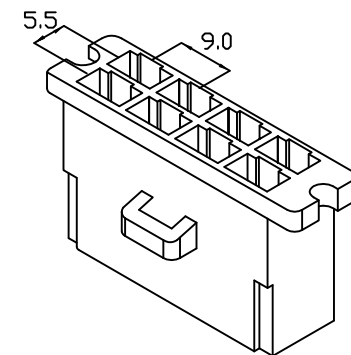
E761H-04K
(2X2)



E761H-06K
(2X3)



E761H-08K
(2X4)



PRAT NO	A	B
E761H-02K	14.0	20.0
E761H-03K	17.5	13.0
E761H-04K(2X2)	14.0	19.0
E761H-06K(2X3)	14.0	37.6
E761H-08K(2X4)	14.0	47.1