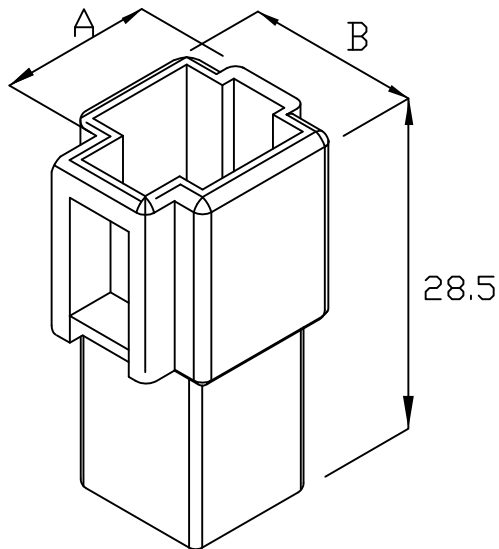


E661H-S SERIES

Features:

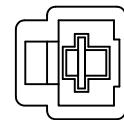
unit:mm

- * MAT'L: NYLON 66 UL 94V-2
- * MATES WITH E661 SERIES TERMINAL
- * MATES WITH E761-S SERIES HOUSING

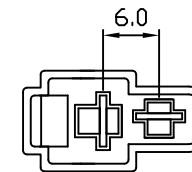


PRAT NO	A	B
E661H-01S	10.0	13.5
E661H-02S	18.3	13.2
E661H-03S	19.9	16.5
E661H-04S(2X2)	15.5	24.5
E661H-06S(2X3)	15.5	31.3
E661H-08S(2X4)	15.5	40.6

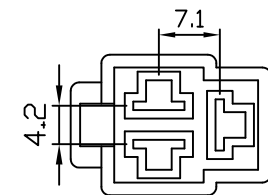
E661H-01S



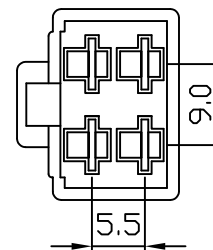
E661H-02S



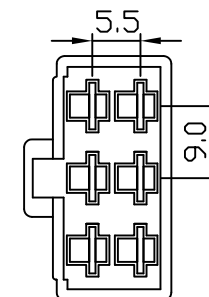
E661H-03S



E661H-04S
(2X2)



E661H-06S
(2X3)



E661H-08S
(2X4)

