

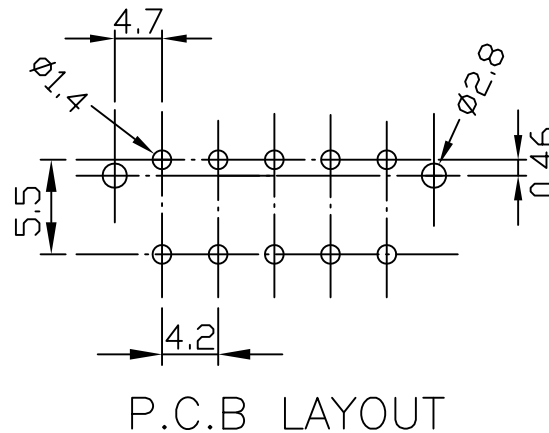
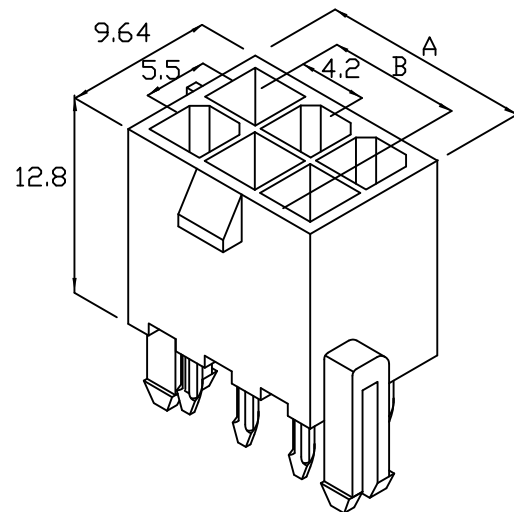
5015PS-A 1.65" (4.2mm) PITCH Headers—Straight

Features:

unit:mm

- * MAT'L: NYLON 66 UL94V-2
- * MATES WITH 5016 SERIES TERMINAL
- * ACCEPTS WITH: 5016H SERIES HOUSING
- * POSITIVE HOUSING LOCKS

5015PS-A



PART NO.	A	B
5015PS-02A (2x1)	5.4	
5015PS-04A (2x2)	9.6	4.2
5015PS-06A (2x3)	13.8	8.4
5015PS-08A (2x4)	18.0	12.6
5015PS-10A (2x5)	22.2	16.8
5015PS-12A (2x6)	26.4	21.0
5015PS-14A (2x7)	30.6	25.2
5015PS-16A (2x8)	34.8	29.4
5015PS-18A (2x9)	39.0	33.6
5015PS-20A (2x10)	43.2	37.8
5015PS-22A (2x11)	47.4	42.0
5015PS-24A (2x12)	51.6	46.2