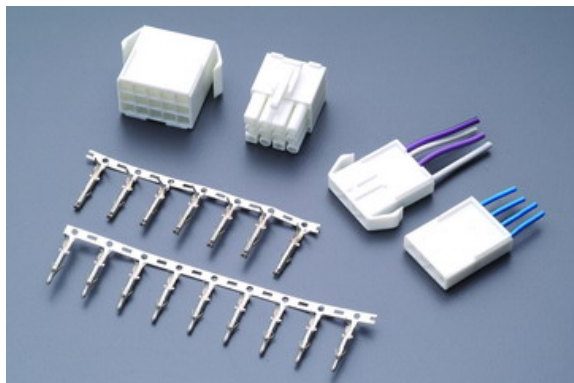


E030H/E130H/E030H-E SERIES

.177" (4.5mm) PITCH WIRE TO WIRE CONNECTOR



Specifications

Current rating: 4.5A AC,DC

Voltage rating: 250V AC,DC

Temperature range: -25°C to +85°C
(including temperature rise)

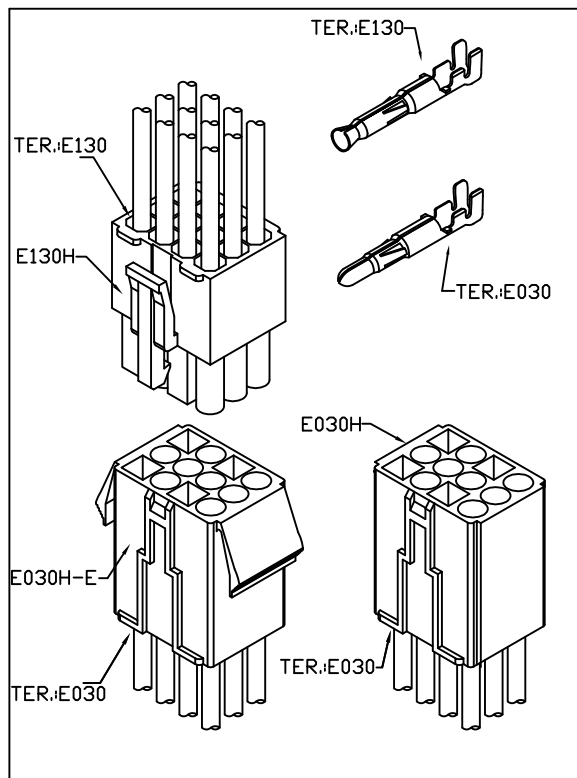
Contact resistance: Initial value/10mΩ Max.

After environmental testing/20mΩ Max.

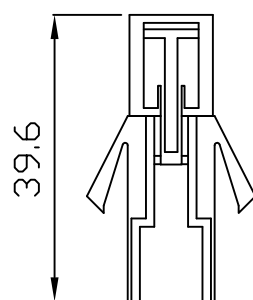
Insulation resistance: 500MΩ MIN.

Withstanding voltage: 1500V AC/minute

Applicable wire: AWG#18-22



Assembly layout



WIRE TO WIRE

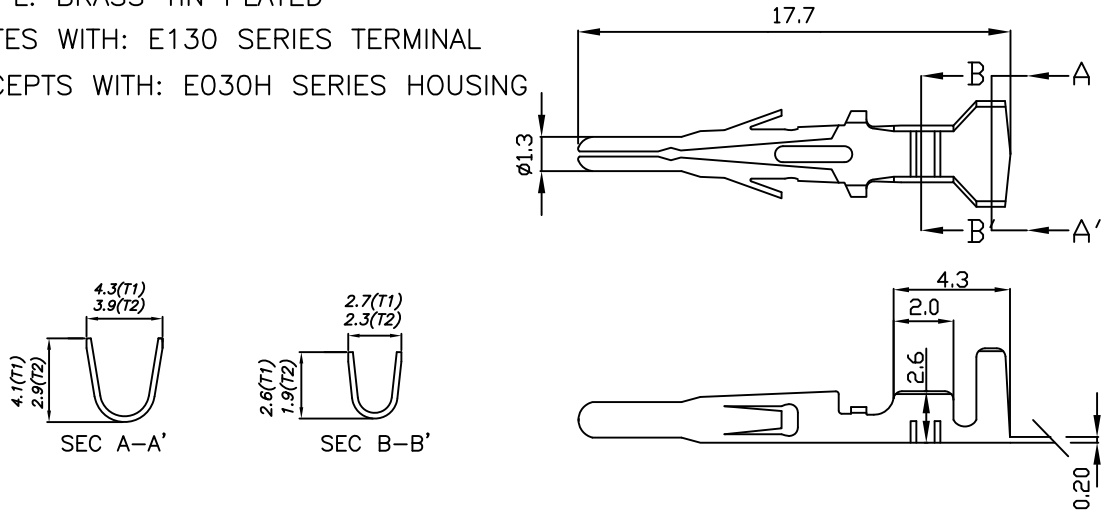
E030 CRIMP TERMINAL

E030

unit:mm

Features:

- * THICKNESS: 0.20mm
- * MAT'L: BRASS TIN PLATED
- * MATES WITH: E130 SERIES TERMINAL
- * ACCEPTS WITH: E030H SERIES HOUSING



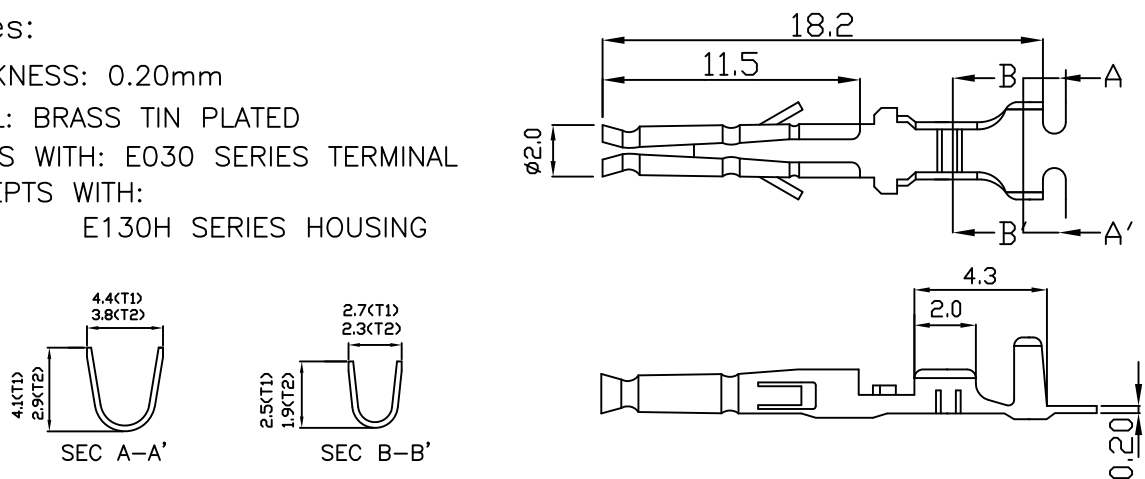
PART NO.	WIRE RANGE	INSULATION O.D.	MATERIAL	FINISH	QTY/REEL
E030T1	AWG#16-#20	$\phi 1.9-3.4\text{mm}$	BRASS	Tin-plated	5000
E030T2	AWG#20-#26	$\phi 1.3-2.7\text{mm}$	BRASS	Tin-plated	7000

E130 CRIMP TERMINAL

E130

Features:

- * THICKNESS: 0.20mm
- * MAT'L: BRASS TIN PLATED
- * MATES WITH: E030 SERIES TERMINAL
- * ACCEPTS WITH:
E130H SERIES HOUSING



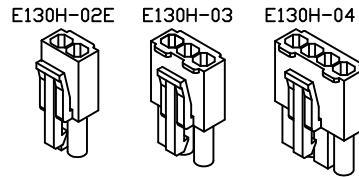
PART NO.	WIRE RANGE	INSULATION O.D.	MATERIAL	FINISH	QTY/REEL
E130T1	AWG#16-#20	$\phi 1.9-3.4\text{mm}$	BRASS	Tin-plated	5000
E130T2	AWG#20-#26	$\phi 1.3-2.7\text{mm}$	BRASS	Tin-plated	7000

E130H .177" (4.5mm) PITCH HOUSING

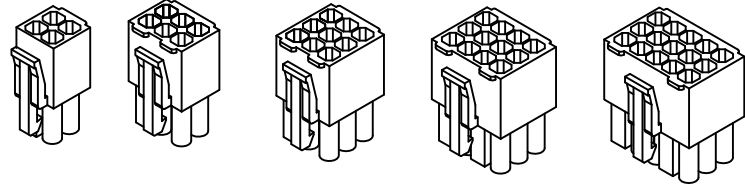
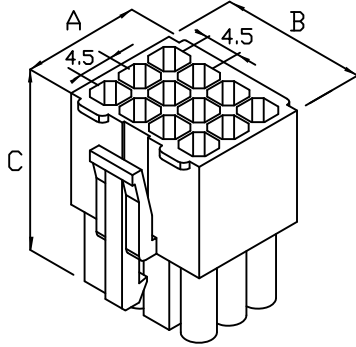
Features:

- * MAT'L: NYLON 66 UL94 V-0
- * MATES WITH: E130 SERIES TERMINAL
- * MATES WITH: E030H & E030H-E SERIES HOUSING

unit:mm



E130H-04(2X2) E130H-06(2X3) E130H-09(3X3) E130H-12(3X4) E130H-15(3X5)

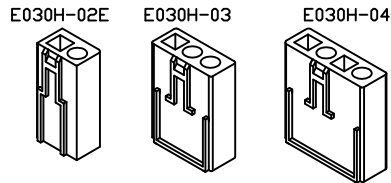


PRAT NO	A	B	C
E130H-02(1X2)	5.8	10.4	24.8
E130H-03(1X3)	5.8	15.0	25.0
E130H-04(1X4)	5.8	19.6	25.0
E130H-05(1X5)	7.6	33.0	27.4
E130H-04(2X2)	10.3	10.5	25.0
E130H-06(2X3)	10.3	15.0	25.0
E130H-09(3X3)	14.8	15.0	25.0
E130H-12(3X4)	14.8	19.6	25.0
E130H-15(3X5)	14.8	24.2	25.0

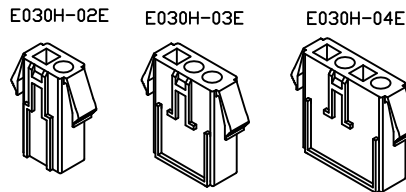
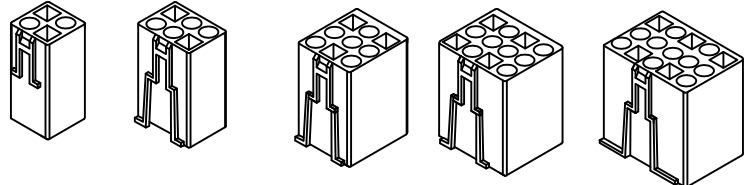
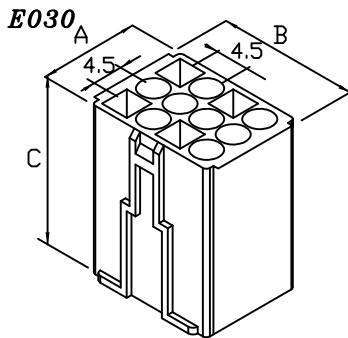
E030H/E030H-E .177" (4.5mm) PITCH HOUSING

Features:

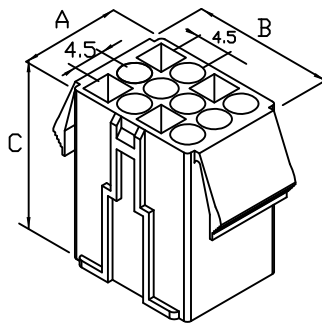
- * MAT'L: NYLON 66 UL94 V-0
- * MATES WITH: E030 SERIES TERMINAL
- * MATES WITH: E130H SERIES HOUSING



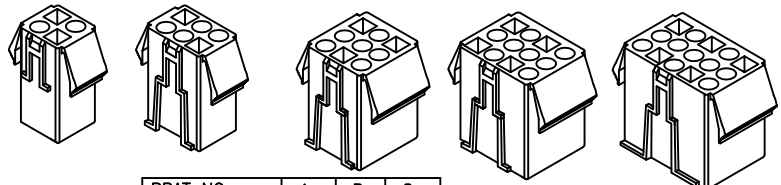
E030H-04(2X2) E030H-06(2X3) E030H-09(3X3) E030H-12(3X4) E030H-15(3X5)



E030H-E



E030H-04E(2X2) E030H-06E(2X3) E030H-09E(3X3) E030H-12E(3X4) E030H-15E(3X5)



PRAT NO.	A	B	C
E030H-02 (1X2) E030H-02E	5.6	10.5	24.8
E030H-03 (1X3) E030H-03E	5.6	15.0	24.8
E030H-04(1X4) E030H-04E	5.6	19.6	24.8
E030H-05(1X5) E030H-05E	10.3	10.5	24.8
E030H-06(2X3) E030H-06E	10.3	15.0	24.8
E030H-09(3X3) E030H-09E	14.7	15.0	24.8
E030H-12(3X4) E030H-12E	14.7	19.6	24.8
E030H-15(3X5) E030H-15E	20.2	33.0	27.4