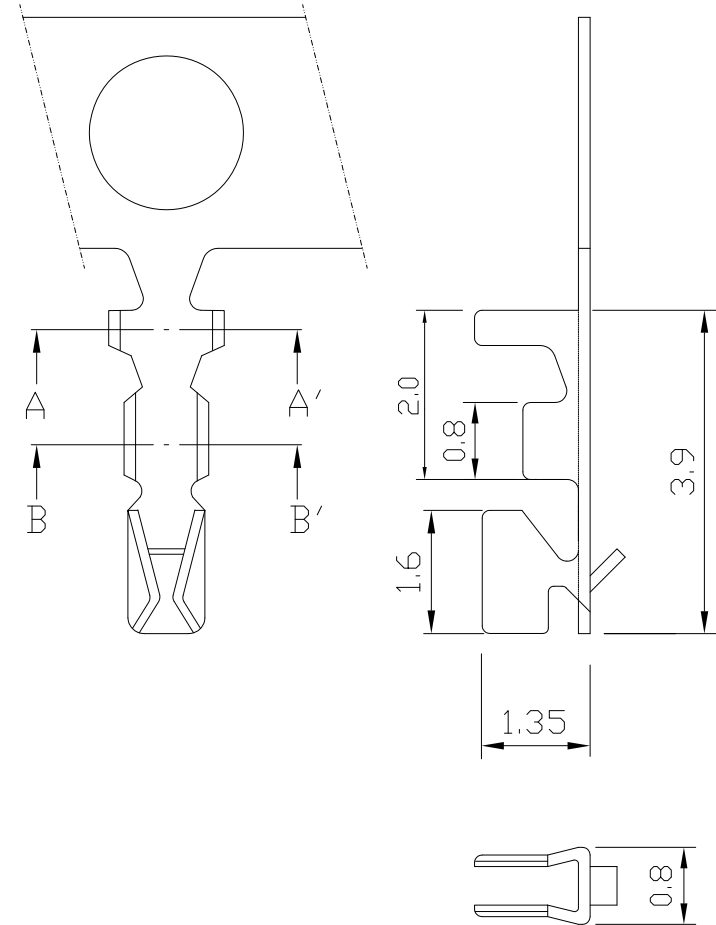
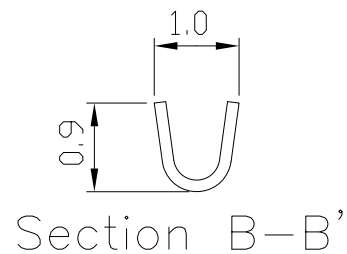
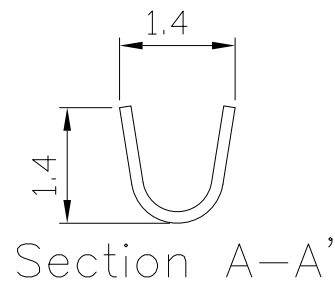


# *E001T* .039" (1.0mm) PITCH CRIMP TERMINAL

unit:mm

Features:

- \* THICKNESS: 0.12mm
- \* MAT'L: PHOSPHOR BRONZE TIN PLATED
- \* MATES WITH: E001H SERIES HOUSING



PART NO.	WIRE RANGE	INSULATION O.D.	MATERIAL	FINISH	QTY/REEL
E001H	AWG#28-#32	ø0.75mm MAX	PHOSPHOR BRONZE	Tin-plated	15000