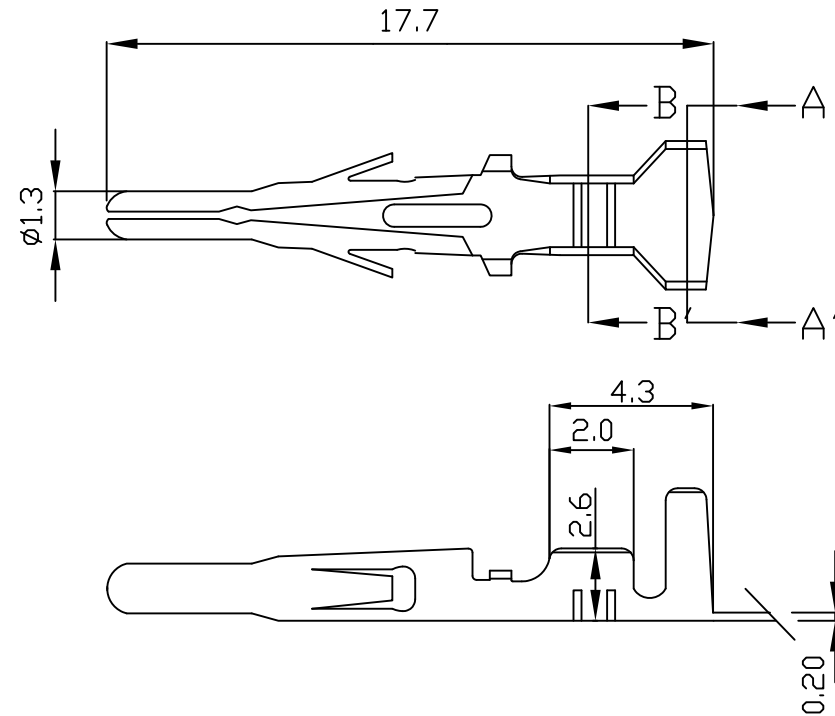
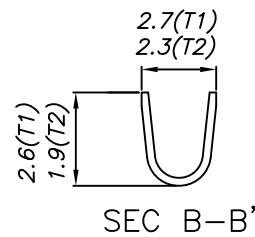
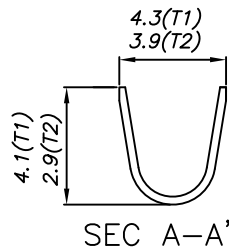


E030 CRIMP TERMINAL

Features:

- * THICKNESS: 0.20mm
- * MAT'L: BRASS TIN PLATED
- * MATES WITH: E130 SERIES TERMINAL
- * ACCEPTS WITH: E030H SERIES HOUSING

unit:mm



PART NO.	WIRE RANGE	INSULATION O.D.	MATERIAL	FINISH	QTY/REEL
E030T1	AWG#16-#20	$\phi 1.9-3.4$ mm	BRASS	Tin-plated	5000
E030T2	AWG#20-#26	$\phi 1.3-2.7$ mm	BRASS	Tin-plated	7000